

**3 PIECES BALL VALVE FLANGED GN 40**



**Size :** DN 15 to 100 mm  
**Ends :** Flanges GN40  
**Min Temperature :** -30°C in SS and -20°C in carbon steel  
**Max Temperature :** + 180°C  
**Max Pressure :** 40 Bars  
**Specifications :** 3 pieces type  
PTFE seat  
Anti blow-out stem  
Full bore

**Materials :** Carbon steel or Stainless steel

**3 PIECES BALL VALVE FLANGED GN 40**

**SPECIFICATIONS :**

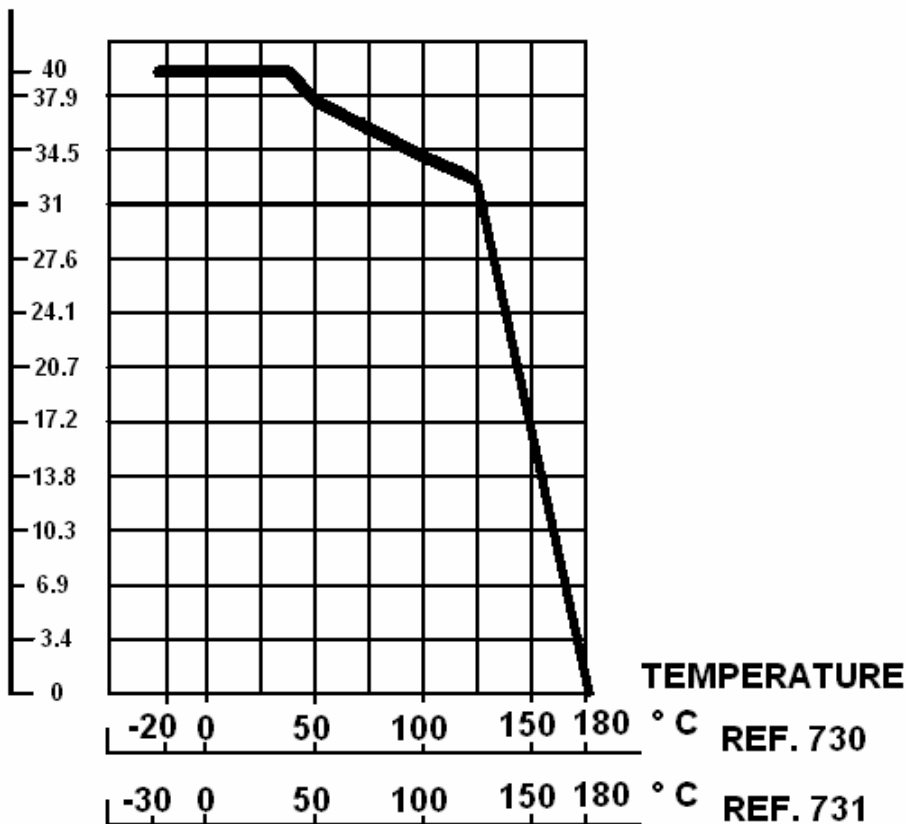
- Full bore
- Anti blow-out stem
- PTFE packing
- PTFE seat
- Locking device
- 3 pieces type
- Flanges R.F. GN 40

**USE :**

- For all common fluid
- Min and max Temperature Ts : -30°C to + 180°C for stainless steel type **Ref. 731**
- Min and max Temperature Ts : -20°C to + 180°C for carbon steel type **Ref. 730**
- Max Pressure Ps : 40 bars ( see graph )

**PRESSURE / TEMPERATURE GRAPH ( STEAM EXCLUDED ) :**

**PRESSURE  
BAR**



3 PIECES BALL VALVE FLANGED GN 40

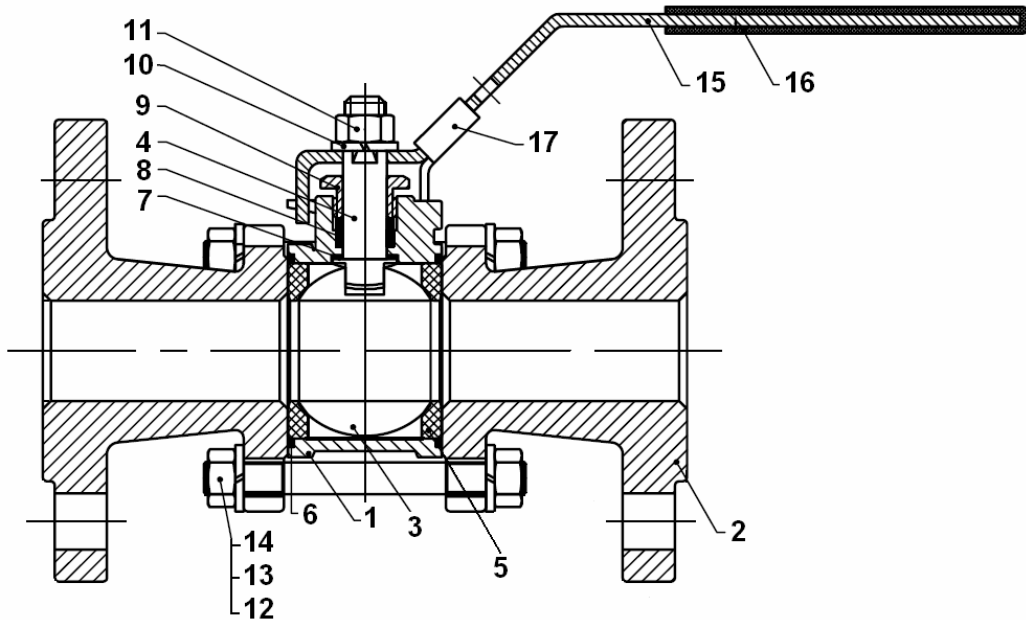
**RANGE :**

- Carbon steel **Ref. 730** DN 15 to DN 100
- Stainless steel **Ref. 731** DN 15 to DN 100

**ENDS :**

- Flanges R.F. GN40

**MATERIALS :**

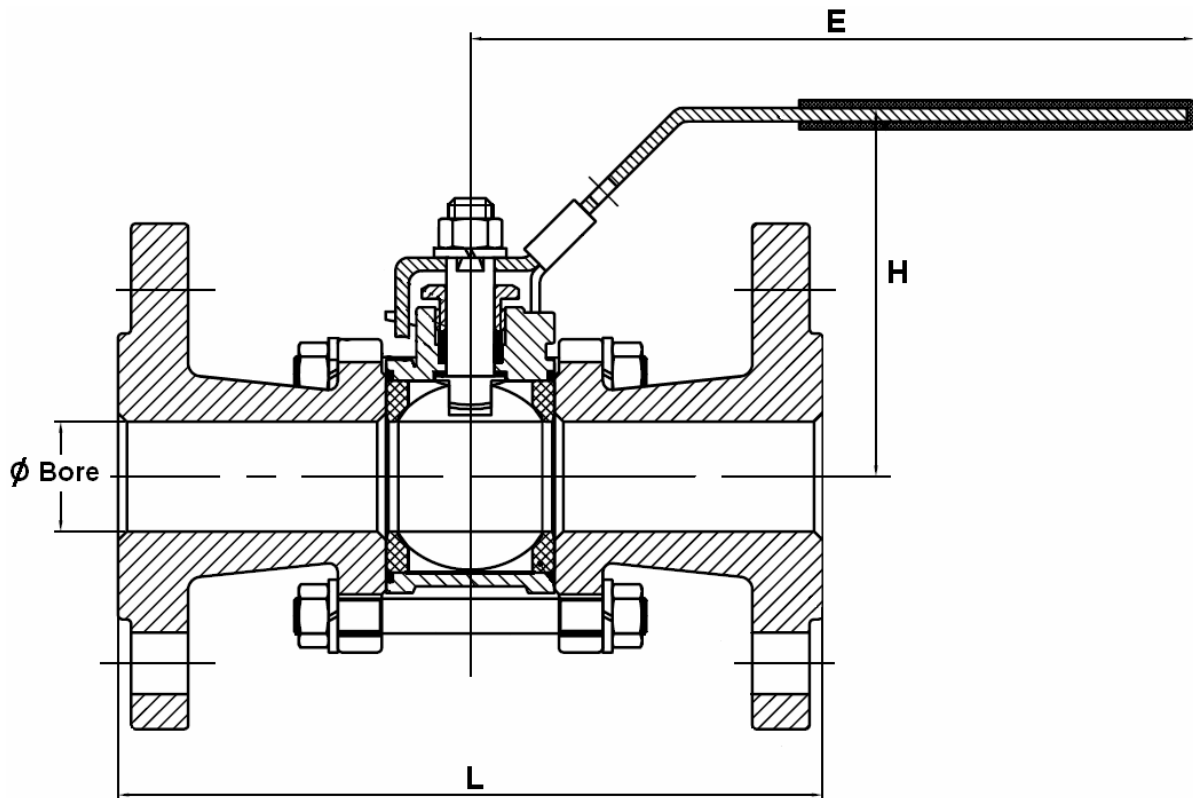


Item	Designation	Materials 730	Materials 731
1	Body	ASTM A216 WCB	ASTM A351 CF8M
2	Ends	ASTM A216 WCB	ASTM A351 CF8M
3	Ball	SS 304	ASTM A351 CF8M
4	Stem		SS 304
5*	Seat		PTFE
6*	Body seal		PTFE
7*	Ring		PTFE
8*	Packing		PTFE
9	Gland		SS 304
10	Handle washer		SS 304
11	Handle nut		SS 304
12	Bolt		SS 304
13	Nut		SS 304
14	Washer		SS 304
15	Handle		SS 304
16	Handle cover		Plastic
17	Locking device		SS 304

(\* : included in gaskets kit)

**3 PIECES BALL VALVE FLANGED GN 40**

SIZE ( in mm ) :



	DN	15	20	25	32	40	50	65	80	100
Ref. 730 / 731	Ø Bore	15	20	25	32	38	50	65	80	100
	L	130	150	160	180	200	230	290	310	350
	E	136	136	165	165	200	200	302	302	329
	H	68	72	84	93	99	109	138	150	180
	Weight ( Kg )	2.25	3.5	4.3	6.25	7.65	10.9	16.5	24.2	35.4

**3 PIECES BALL VALVE FLANGED GN 40****FLOW COEFFICIENT  $K_v$  (in  $m^3/h$ ):**

DN	15	20	25	32	40	50	65	80	100
$K_v$ ( $m^3/h$ )	9.5	18.1	30.2	49.3	69.2	129.7	229.2	359	674.6

**TORQUE VALUE ( in Nm without safety coefficient ) :**

DN	15	20	25	32	40	50	65	80	100
Torque ( Nm )	5.4	7.8	10.6	15	20	28	51	78	113

**BOLT TIGHTENING TABLE ( In Nm ) :**

DN	15	20	25	32	40	50	65	80	100
Torque ( Nm )	6.9	9.8	9.8	11.8	15.7	20.6	54.9	73.5	94.1

**STANDARDS :**

- Fabrication according to ISO 9001 : 2000
- DIRECTIVE 97/23/CE : CE N° 0036  
Risk Category II
- Tests according to API 598
- Flanges R.F. according to EN 1092-1 PN40
- Length according to NF 29355 DIN 3202 F1

**ADVICE :** Our opinion and our advice are not guaranteed and SFERACO shall not be liable for the consequences of damages. The customer must check the right choice of the products with the real service conditions.

**3 PIECES BALL VALVE FLANGED GN 40****INSTALLATION AND MAINTENANCE****BEFORE INSTALLATION :**

Pipe-line must be cleaned and free from residual of weldings,rubbish,shaving and every kind of extraneous materials.  
Pipe-line must be perfectly aligned and their support properly dimensioned so that there's no external constraint.

To tighten the ends,use the appropriate tool.  
Use the right bolt tightening so that the ends won't be damaged.

**INSTALLATION OF THE CENTRAL PART**

During the installation of the central part , tighten bolts according to the table below.Tighten bolts in cross.

**BOLT TIGHTENING TABLE ( in Nm ) :**

DN	15	20	25	32	40	50	65	80	100
Torque ( Nm )	6.9	9.8	9.8	11.8	15.7	20.6	54.9	73.5	94.1

**CLEANING AND TESTS**

Keep closed the valves during the cleaning operation so that there's no impurities between the ball and the body.

Tests under pressure must be done with a cleaned pipe-line.

Open partially the valve for tests. Pressure test do not exceed the valve specifications according to EN 12266-1.

**MAINTENANCE**

It's recommended to operate the valve ( open and close ) 1 to 2 times per year.

When intervention on the valve, be sure there's no pressure in the pipe-line, there's no fluid in it,and that it is isolated.  
The temperature must be low enough to operate without risks.  
If there's a corrosive fluid,inert installation before intervention.

When the valve is under pressure :  
If there's a leakage between the body and the ends, tighten bolts according to the above table

If there's a leakage at the packing, tighten it slightly so that the leakage disappears.

**MAINTENANCE OPERATION IN WORKSHOP****REPLACEMENT OF SEAT GASKETS AND PACKING.**

The central part must be removed.

Turn the ball at 45° and removed the seat gaskets.

Operate the valve in closed position to removed the ball.Verify the surface of the ball has no impacts and no scores.

If there are important scores or impatcs,replace the ball.

Clean inside the body valve and remove the impurities.

To replace the packing,remove the handle,unscrew the gland nut, extract the stem by the inside of the valve.

Clean the paking seat.

Reassemble thrust washer on stem, introduce stem by the inside of the valve, reassemble packing with packing nut,reassemble hand washer,hand nut and the handle.

Turn stem in closed position and insert the ball.

Then turn the ball in opened position and reassemble the seat.

Place the valve on the installation,tighten bolts according to the above table.

Then proceed to the tests in the same way that the first installation.