

MAIN CHARACTERISTICS

The SKT6 sight glass is dedicated to the visual control and inspection of flow in pipes of standard low pressure and non corrosive fluids, like water. Built in cast iron, the SKT6 has a double windows construction and screwed connections. It has a flapper allowing a better visibility of the flow. It is certified CE and ATEX.

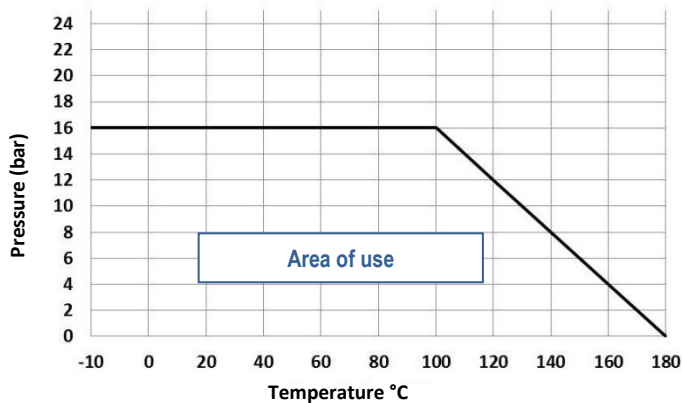
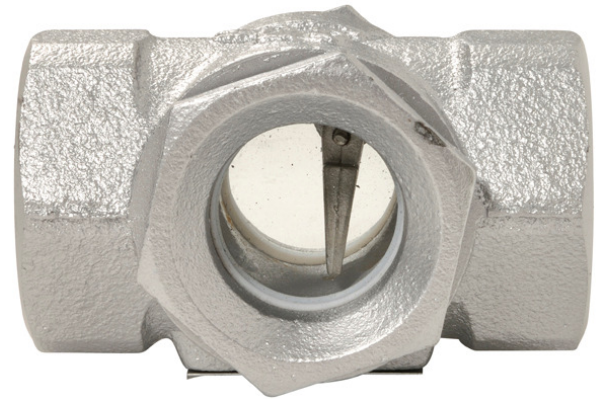
AVAILABLE MODELS

DN ½" to 2"
BSP connections



LIMITS OF USE

Pression du fluide : PS	16 bar
Température du fluide : TS	-10°C / +180°C
Température ambiante	-10°C / +60°C



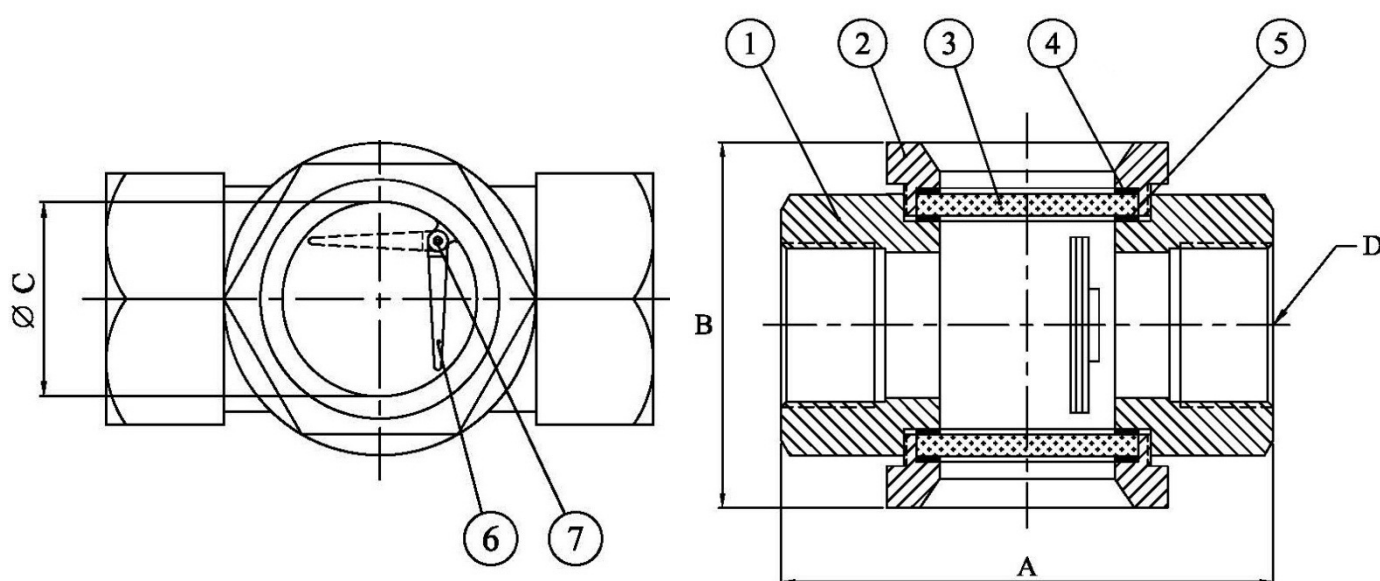
DIRECTIVES AND STANDARDS OF CONSTRUCTION

	Norme	NB		Norme
97/23/CE Pressure Equipment Directive	¼" to 1" : excluded		Shell design	EN 12516-1
	1" ¼ to 2" : category II	TÜV 0035	Material certificate	EN 10204 § 3.1
Cast iron alloy	EN 1503-3		Room temperature	Classification
ATEX Directive	EN 13463-1	SIRA 0518	-10°C / +60°C	II 2 G D TX

CAST IRON SIGHT GLASS SKT 6

CONSTRUCTION

#	Item	Quantity	Material
1	Body	1	Cast iron EN-GJL-200
2	Cover	2	Cast iron EN-GJL-200
3	Glass	2	Tempered glass
4	Gasket	2	PTFE
5	Gasket	2	PTFE
6	Flapper	1	Stainless steel ANSI 304
7	Axis	1	Stainless steel ANSI 304



DIMENSIONS (mm)

DN	½"	¾"	1"	1" ¼	1" ½	2"
A	75	90	90	120	120	140
B	70	75	83	110	110	125
C	22	30	30	42	42	51
Weight (kg)	0.7	1	1.2	2.1	2.1	3.3

CAST IRON SIGHT GLASS SKT 6

MONTAGE ET ENTRETIEN

- The sight glass can be installed in all positions. In vertical position with downstream flow, the flapper does not work.
- On air vent downstream, please respect a one-meter distance between the air vent and the sight glass to avoid temperature shocks on glasses.
- Before installation or maintaining, shut off the line using upstream and downstream valves.
- Remove the pressure inside and drain the pipe.
- If the pipe is warm, wait the complete cooling to room temperature.
- Wear protections equipments adapted to this kind of operation (gloves and glasses).
- Remove the two glass covers and remove the glasses.
- Clean the glasses and the inner part of the body.
- Verify the state of the glass and check any starting of chemical corrosion or mechanical erosion. Replace it if necessary.
- Install the sight glass by screwing the connections on the pipes ends.
- Decide the position of the sight glass on the line in order to make it visible for the operators.
- Bring the installation back to service.

USE IN ATEX ZONE

The SKT6 sight glass is certified according to 94/9/EC ATEX directive, allowing a use in explosive areas. It can be installed in zones 1, 2, 21 and 22.



SPARE PARTS

Set including 1 glass (3) and 2 gaskets (4, 5).

DN	Ø glass (mm)	Glass thickness (mm)	Code
1/2"	30	10	981070A
3/4" - 1"	38	10	981071A
1" ¼ - 1" ½	55	10	981072A
2"	63	10	981073A