

## DOUBLE PLATE CHECK VALVE



**Size :** DN 50 to 600  
**Ends :** Between flanges GN10/16 or GN25  
**Min Temperature :** - 10°C  
**Max Temperature :** + 90°C for NBR, 110°C for EPDM, 200°C for FKM  
**Max Pressure :** 10 to 16 Bars ( according to DN )  
**Specifications :** Double plate check valve  
Horizontal or vertical position  
Between flanges

**Materials :** Cast iron or stainless steel body

## DOUBLE PLATE CHECK VALVE

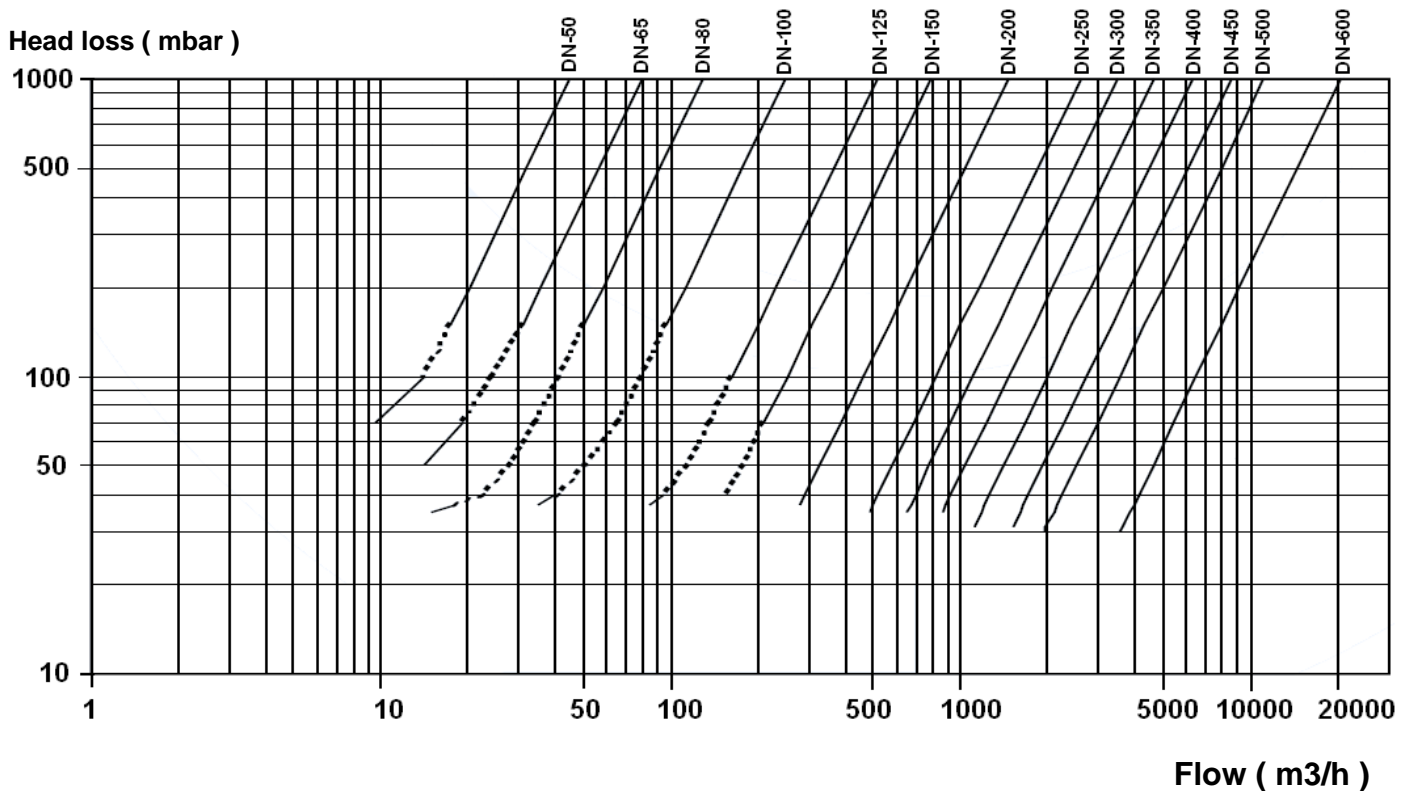
### SPECIFICATIONS :

- Double plate check valve
- Vertical position with ascendant fluid or horizontal position ( respect the flow direction indicated by the arrow )
- Between flanges GN10/16 or GN25

### USE :

- For all common fluids
- Min and max Temperature Ts : - 10°C to + 90°C ( 110°C temporarily ) for cast iron body with NBR gasket type **Ref.370**
- Min and max Temperature Ts : - 10°C to + 110°C for cast iron body with EPDM gasket type **Ref.371**
- Min and max Temperature Ts : - 10°C to + 200°C for stainless steel body with FKM gasket type **Ref.372**
- Max Pressure PN : 16 bars up to DN300 included and 10 bars over
- **Do not use with pulsatory speed**

### HEAD LOSS GRAPH :



### OPENING PRESSURE ( in mbar ) :

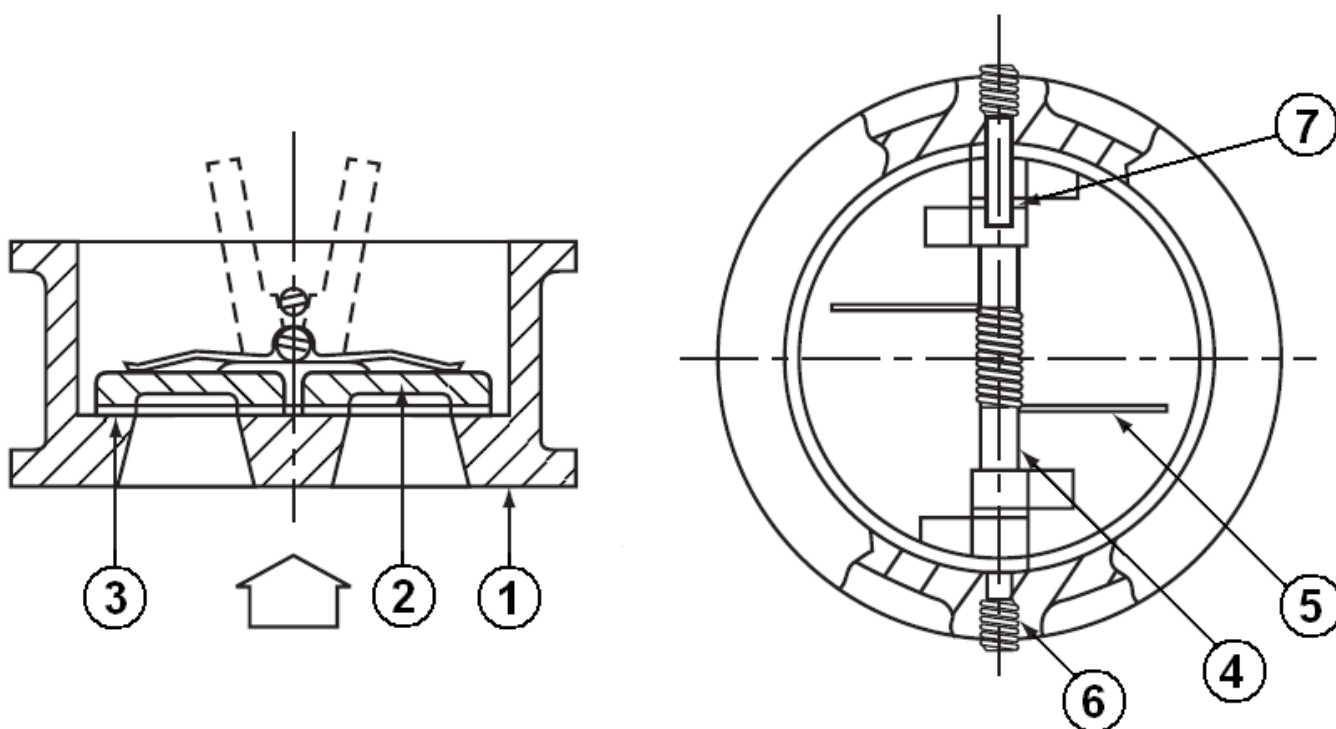
DN	50	65	80	100	125	150	200	250	300
Horizontal position	230	94	190	280	160	79	41	38	31
Vertical position ascend. fluid	260	114	230	320	180	95	57	58	56

## DOUBLE PLATE CHECK VALVE

**RANGE :**

- Cast iron body with cast iron disc between flanges GN10/16 **Ref. 370** DN50 to DN 600
- Cast iron body with stainless steel disc between flanges GN10/16 **Ref. 371** DN50 to DN 300
- Stainless steel body and disc between flanges GN25 DN 50 to 200 and GN10/16 from DN 250 to DN 600 **Ref. 372** DN50 to 600

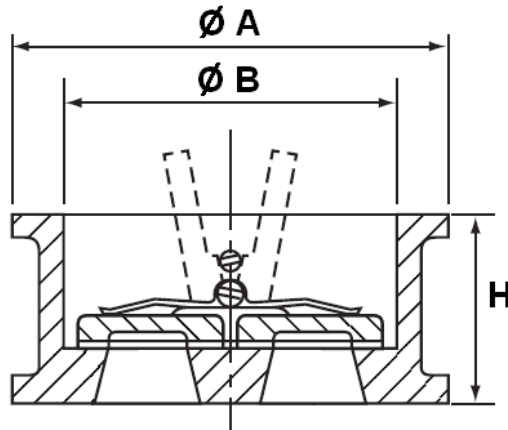
**MATERIALS :**



Item	Designation	Materials 370	Materials 371	Materials 372
1	Body	Cast iron EN-GJL 250	Cast iron EN-GJL 250	SS 316
2	Disc	Nickel cast iron EN-GJS 400-15	SS 316	SS 316
3	Seat	NBR	EPDM	FKM
4	Shaft	SS 304	SS 304	SS 316
5	Spring	SS 316	SS 316	SS 316
6	Nut	SS 304	SS 304	SS 316
7	Disc bearing	PTFE	PTFE	PTFE

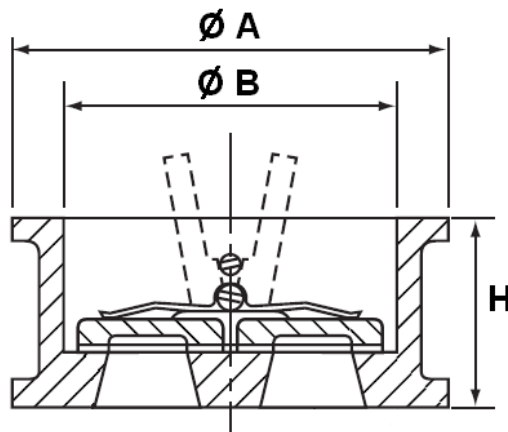
**DOUBLE PLATE CHECK VALVE**

**SIZE REF.370/371 ( in mm ) :**



	DN	50	65	80	100	125	150	200	250	300	350	400	450	500	600
<b>Ref. 370/371</b>	H	54	54	57	64	70	76	95	108	144	184	191	203	213	222
	Ø B	70	83	90	115	142	169	219	273	324	356	406	467	514	616
	Ø A	109	129	144	164	194	220	275	330	380	440	491	541	596	698
	Weight ( Kg )	1.62	2.3	3.14	4.5	6.7	9.05	16	26.9	38.9	80	106	128	158	225

**SIZE REF.372 ( in mm ) :**



	DN	50	65	80	100	125	150	200	250	300	350	400	450	500	600
<b>Ref. 372</b>	H	54	54	57	64	70	76	95	108	144	184	191	203	213	222
	Ø B	70	83	90	115	142	169	219	273	324	356	406	467	514	616
	Ø A	109	129	144	170	196	226	285	330	380	440	491	541	596	698
	Weight ( Kg )	1.84	2.4	3.35	5.05	6.68	9.6	18.07	26.9	38.9	80	106	128	158	225

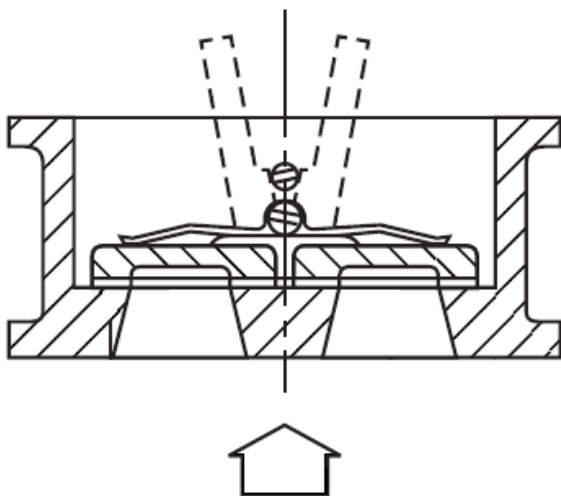
## DOUBLE PLATE CHECK VALVE

### STANDARDS :

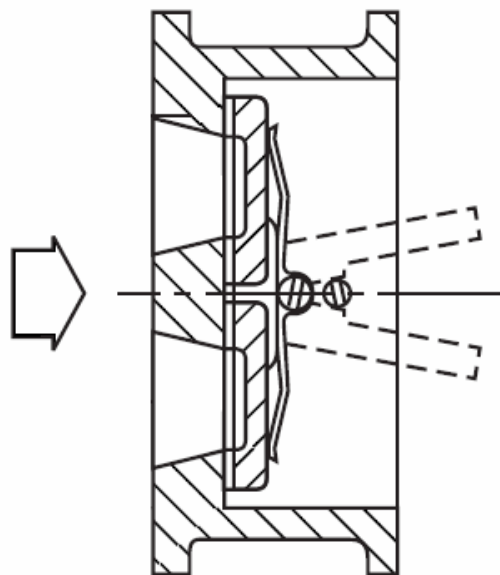
- Fabrication according to ISO 9001 : 2000
- DIRECTIVE 97/23/CE : CE N° 0035  
Risk Category II

### INSTALLATION POSITIONS :

Vertical position ( ascendant fluid )



Horizontal position



**ADVICE :** Our opinion and our advice are not guaranteed and SFERACO shall not be liable for the consequences of damages. The customer must check the right choice of the products with the real service conditions.

## **DOUBLE PLATE CHECK VALVE**

### **INSTALLATION INSTRUCTIONS**

#### **GENERAL GUIDELINES :**

- Ensure that the check valves to be used are appropriate for the conditions of the installation (type of fluid, pressure and temperature).
- Be sure to have enough valves to be able to isolate the sections of piping as well as the appropriate equipment for maintenance and repair.
- Ensure that the valves to be installed are of correct strength to be able to support the capacity of their usage.

#### **INSTALLATION INSTRUCTIONS :**

- **Before installing the check valves, clean and remove any objects from the pipes** (in particular bits of sealing and metal) which could obstruct and block the valves.
- **Ensure that both connecting pipes either side of the check valve (upstream and downstream) are aligned (if they're not, the valves may not work correctly).**
- **Make sure that the two sections of the pipe (upstream and downstream) match, the check valve unit will not absorb any gaps. Any distortions in the pipes may affect the tightness of the connection, the working of the check valve and can even cause a rupture.** To be sure, place the kit in position to ensure the assembling will work.
- Make sure there is enough space so that the disc can be opened totally in the pipe.
- If there is a direction changing or if there's another material, it's better to take away the check valve so that it is outside the turbulence area ( **between 3 and 5 times the ND before and after** ).
- After a pump please refer to norm NF CR 13932 to install the check valve.